

DESCRIPTION

This is a high radiance 472 nm Blue LED optimized for applications requiring high Radiant intensity and sunlight visibility.

FEATURES

- 472 nm Blue
- High Radiant Flux, 20 mW typical
- High Reliability
- Hermetic Package
- 12 Degree Half angle of light emission
- Available screened to MIL-PRF-19500

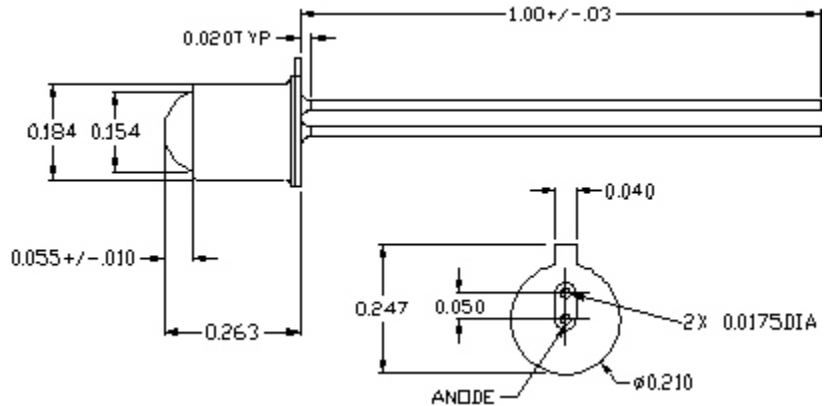
ABSOLUTE MAXIMUM RATINGS

- Storage temperature..... -65°C to +125°C
- Case operating temperature -55°C to +100°C
- Lead solder temperature..... 260°C, 10 seconds
- Continuous forward current.. 50 mA
- Peak Forward Current..... 100 mA \1
- Reverse Voltage..... 5 Volts

\1 100µsec pulse width, 1 kHz

OUTLINE DIMENSIONS

Tolerances are +/-0.005 inches, except as noted



Pinout

1. Anode
2. Cathode

The case is electrically isolated from the pins.

ELECTRO-OPTICAL CHARACTERISTICS (Case T = 25°C)

PARAMETER	TEST CONDITION	SYMBOL	MIN	TYP	MAX	UNIT
Forward Voltage	If = 20 mA	V _f	2.7	3.2	3.7	Volts
Reverse Current	Vr = 5V	I _r			2.0	µA
Half Angle at Half Power		θ _{1/2}		12		DEG
Radiant Flux	If = 20 mA, 0 degrees		15	20		mW
Peak Wavelength	If = 20 mA	λ _p	465	472	475	nm