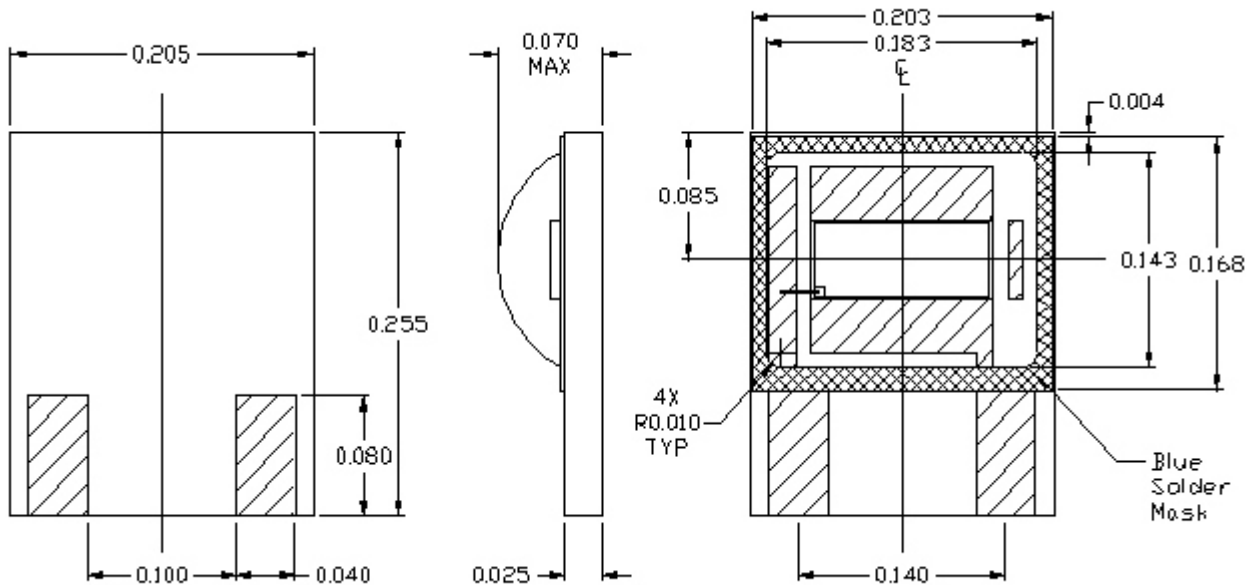


DESCRIPTION

This is a Silicon PIN detector optimized for ratio-metric applications requiring high Responsivity and high reliability.

FEATURES

- High Speed and high Responsivity
- High Reliability surface mount ceramic package



ABSOLUTE MAXIMUM RATINGS

- Storage temperature..... -40°C to +80°C
- Case operating temperature..... -40°C to +80°C
- Lead solder temperature..... 240°C, 3 seconds

OUTLINE DIMENSIONS

Tolerances are +/-0.005 inches, except as noted

Pin 1 - Anode, Pin 2 - Cathode

PARAMETER	TEST CONDITION	SYMBOL	MIN	TYP	MAX	UNIT
Reverse Breakdown Voltage	$I_r = 10 \mu A, H = 0 mW$	V_{BR}	50	100		Volts
Responsivity	$H = 10 \mu W, V_r = 5 Volts$ $\lambda = 900 nm$	R_{c1}	.60	.65		A/W
Responsivity	$H = 10 \mu W, V_r = 5 Volts$ $\lambda = 660 nm$	R_{c2}	.35	.37		A/W
Dark Current	$V_r = 10 Volts, H = 0 mW$	I_d			5.0	nA
Spectral Response		λ	400		1100	nm
Capacitance	$V_r = 0V$	C		25	35	pF
Rise/Fall Time	$V_r = 10 Volts, R_L = 1k \Omega$	t_r/t_f		50	100	nsec

ELECTRO-OPTICAL CHARACTERISTICS (Case T = 25°C)